

Leveling feet

Stainless Steel, EHEDG, 3-A and DGVU Certified, with and without Mounting Holes, Hygienic Design

SPECIFICATION

Types

- Type **A**: Without mounting holes
- Type **B**: With mounting holes

Spindle, adjustable sleeve, foot plate

- Stainless steel AISI 304
- Turned

Seals, blue, FDA compliant

- Sealing ring
NBR, hardness 70 ±5 Shore A
- Wiper
TPU, hardness 95 ±5 Shore A
- Joint sealing ring
H-NBR, hardness 85 ±5 Shore A
- Bottom seal
Silicone, hardness 85 ±5 Shore A

INFORMATION

Leveling feet GN 20 without mounting holes comply with the guidelines of the 3-A sanitary standard 88-01 and the DGVU testing principles, making them suitable for use in hygienic areas. Leveling feet GN 20 with mounting holes comply with the guidelines of the EHEDG, the 3-A sanitary standard 88-01 and the DGVU testing principles, making them extremely suitable for use in hygienic areas.

The bottom seal (Type A) protects the area beneath the foot plate from dirt. For this, the foot must be pressed down by the weight of the machine. The bottom seal (Type B) protects the area beneath the foot plate from dirt. For this, the foot must be screwed on using the fixing holes and compressed accordingly. Hygienic fastenings, e.g. GN 1580 screws and nuts, and the correct position of the mounting holes are essential. The sealing ring above the adjustment sleeve enables fastening without dead space. Due to the wiper or the ball seal, the moving components are sealed against the environment.

The high quality finish prevents adherence of dirt and facilitates cleaning.

The values listed in the table for static load capacity refer to a purely vertical load in relation to the leveling foot. Under normal operating conditions bending loads or angular loads are not uncommon and result in a reduction of load capacity, which must be taken into consideration.

- Operating instruction GN 20A
- Operating instruction GN 20B

ACCESSORY

- Cover Sleeves GN 20.1 (see page)
- Sealing Rings GN 7600 (see page)
- Wipers GN 7607 (see page)
- Screws (for Type B) GN 1580 (see page)
- Screws (for Type B) GN 1581 (see page)

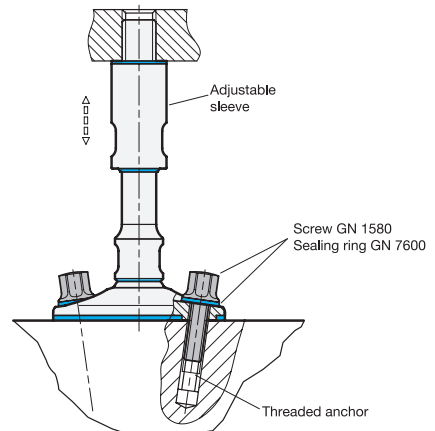
TECHNICAL INFORMATION

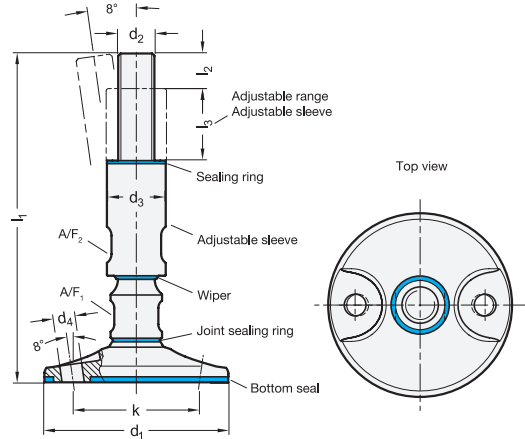
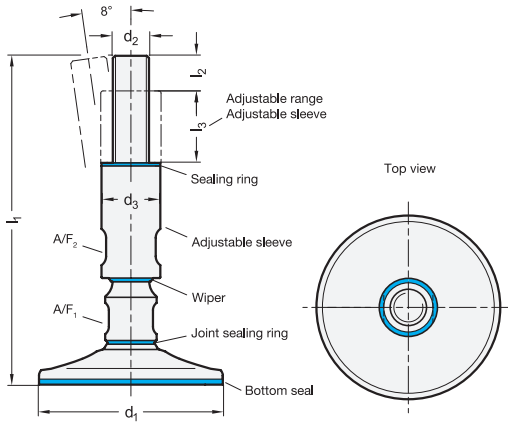
- Plastic Characteristics (see page A2)
- Stainless Steel Characteristics (see page A26)



MOUNTING EXAMPLE TYPE B

Mounting example





GN 20-A

STAINLESS STEEL

Description	d1	d2	l1	d3	l2	l3	A/F1	A/F2	Static load in kN	
GN 20-60-M12-175-A	60	M 12	175	25	14	35	17	19	16	896
GN 20-60-M12-225-A	60	M 12	225	25	14	35	17	19	16	940
GN 20-60-M16-175-A	60	M 16	175	28	19	35	18	22	30	955
GN 20-60-M16-225-A	60	M 16	225	28	19	35	18	22	30	1036
GN 20-80-M12-175-A	80	M 12	175	25	14	35	17	19	16	906
GN 20-80-M12-225-A	80	M 12	225	25	14	35	17	19	16	950
GN 20-80-M16-175-A	80	M 16	175	28	19	35	18	22	30	978
GN 20-80-M16-225-A	80	M 16	225	28	19	35	18	22	30	1045
GN 20-80-M20-185-A	80	M 20	185	32	24	35	24	27	47	1176
GN 20-80-M20-235-A	80	M 20	235	32	24	35	24	27	47	1489
GN 20-80-M24-185-A	80	M 24	185	36	29	35	24	30	67	1341
GN 20-80-M24-235-A	80	M 24	235	36	29	35	24	30	67	1520
GN 20-100-M16-175-A	100	M 16	175	28	19	35	18	22	30	1141
GN 20-100-M16-225-A	100	M 16	225	28	19	35	18	22	30	1222
GN 20-100-M20-185-A	100	M 20	185	32	24	35	24	27	47	1352
GN 20-100-M20-235-A	100	M 20	235	32	24	35	24	27	47	1665
GN 20-100-M24-185-A	100	M 24	185	36	29	35	24	30	67	1518
GN 20-100-M24-235-A	100	M 24	235	36	29	35	24	30	67	1697
GN 20-120-M16-175-A	120	M 16	175	28	19	35	18	22	30	1451
GN 20-120-M16-225-A	120	M 16	225	28	19	35	18	22	30	1532
GN 20-120-M20-185-A	120	M 20	185	32	24	35	24	27	47	1662
GN 20-120-M20-235-A	120	M 20	235	32	24	35	24	27	47	1975
GN 20-120-M24-185-A	120	M 24	185	36	29	35	24	30	67	1828
GN 20-120-M24-235-A	120	M 24	235	36	29	35	24	30	67	2007

GN 20-B

STAINLESS STEEL

Description	d1	d2	l1	d3	d4	l2	l3	k	A/F1	A/F2	Static load in kN	
GN 20-80-M12-175-B	80	M 12	175	25	9.5	14	35	55.5	17	19	16	1110
GN 20-80-M12-225-B	80	M 12	225	25	9.5	14	35	55.5	17	19	16	1154
GN 20-80-M16-175-B	80	M 16	175	28	9.5	19	35	55.5	18	22	30	1170
GN 20-80-M16-225-B	80	M 16	225	28	9.5	19	35	55.5	18	22	30	1250
GN 20-80-M20-185-B	80	M 20	185	32	9.5	24	35	55.5	24	27	47	1383
GN 20-80-M20-235-B	80	M 20	235	32	9.5	24	35	55.5	24	27	47	1460
GN 20-80-M24-185-B	80	M 24	185	36	9.5	29	35	55.5	24	30	67	1547
GN 20-80-M24-235-B	80	M 24	235	36	9.5	29	35	55.5	24	30	67	1725
GN 20-100-M16-175-B	100	M 16	175	28	12	19	35	69	18	22	30	1095
GN 20-100-M16-225-B	100	M 16	225	28	12	19	35	69	18	22	30	1176
GN 20-100-M20-185-B	100	M 20	185	32	12	24	35	69	24	27	47	1306
GN 20-100-M20-235-B	100	M 20	235	32	12	24	35	69	24	27	47	1619
GN 20-100-M24-185-B	100	M 24	185	36	12	29	35	69	24	30	67	1472
GN 20-100-M24-235-B	100	M 24	235	36	12	29	35	69	24	30	67	1651
GN 20-120-M16-175-B	120	M 16	175	28	12	19	35	89	18	22	30	1405
GN 20-120-M16-225-B	120	M 16	225	28	12	19	35	89	18	22	30	1486
GN 20-120-M20-185-B	120	M 20	185	32	12	24	35	89	24	27	47	1616
GN 20-120-M20-235-B	120	M 20	235	32	12	24	35	89	24	27	47	1929
GN 20-120-M24-185-B	120	M 24	185	36	12	29	35	89	24	30	67	1782
GN 20-120-M24-235-B	120	M 24	235	36	12	29	35	89	24	30	67	1961